



**DOSATRON®**

*WATER POWERED DOSING TECHNOLOGY*

---

# SCHEMATICS

## Dosatron Liquid Dispenser **Model # D14MZ3000 - 14 GPM**

1:333 - 1:3000

4.3 – 85 PSI

$\frac{3}{4}$ " NPT Connection

### **Suggested Installation:**

200 mesh/80 micron water filter prior to unit

One-way check valve downstream from unit for water hammer protection

### **Suggested Maintenance Interval:**

Replace injection seals every 12 months

---

#### **DOSATRON SALES & SERVICE - NORTH & CENTRAL AMERICA**

Dosatron International, Inc.

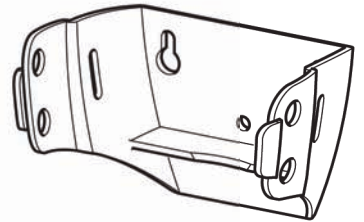
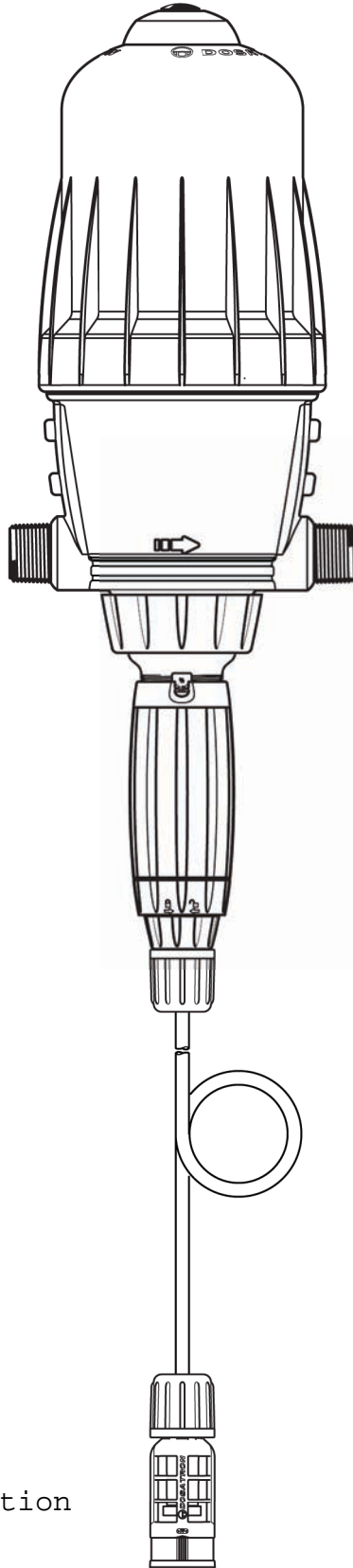
Phone: 727-443-5404 Service: (800) 523-8499

Fax: 727-447-0591

[www.dosatronUSA.com](http://www.dosatronUSA.com)

# D14MZ3000

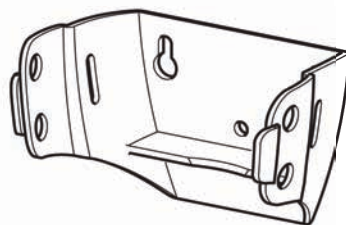
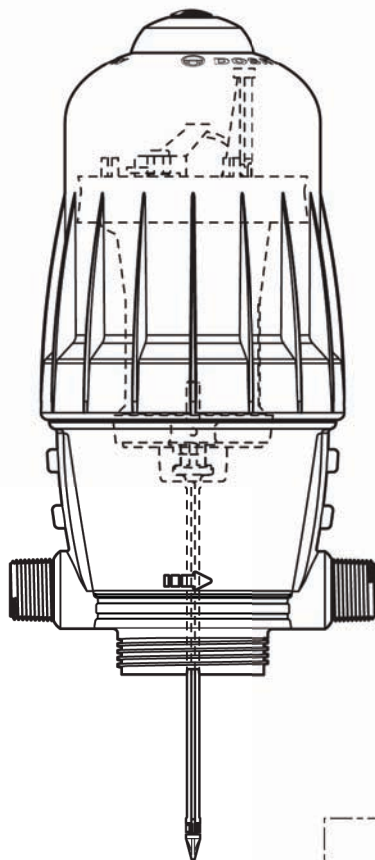
14 GPM - 1:333 - 1:3000  
3 m<sup>3</sup>/h - 0.3 - 0.03%  
4.3 - 85 psi  
0.3 - 6 bar



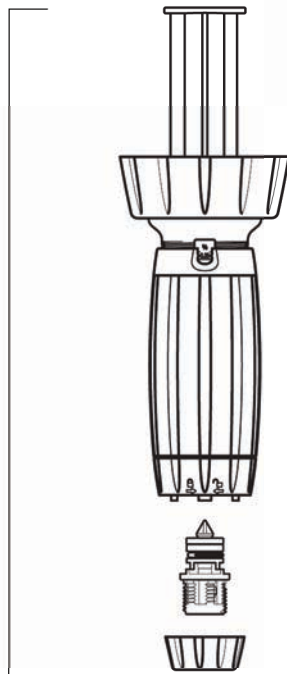
# D14MZ3000

14 GPM - 1:333 - 1:3000  
3 m<sup>3</sup>/h - 0.3 - 0.03%  
4.3 - 85 psi  
0.3 - 6 bar

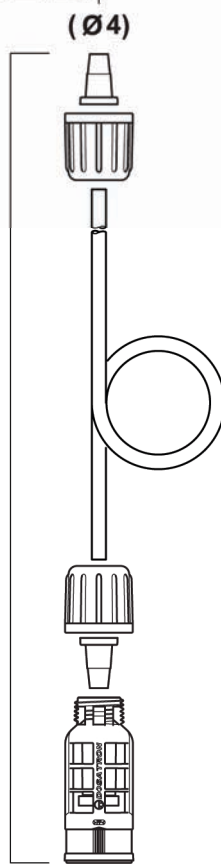
**C+M**



**D**

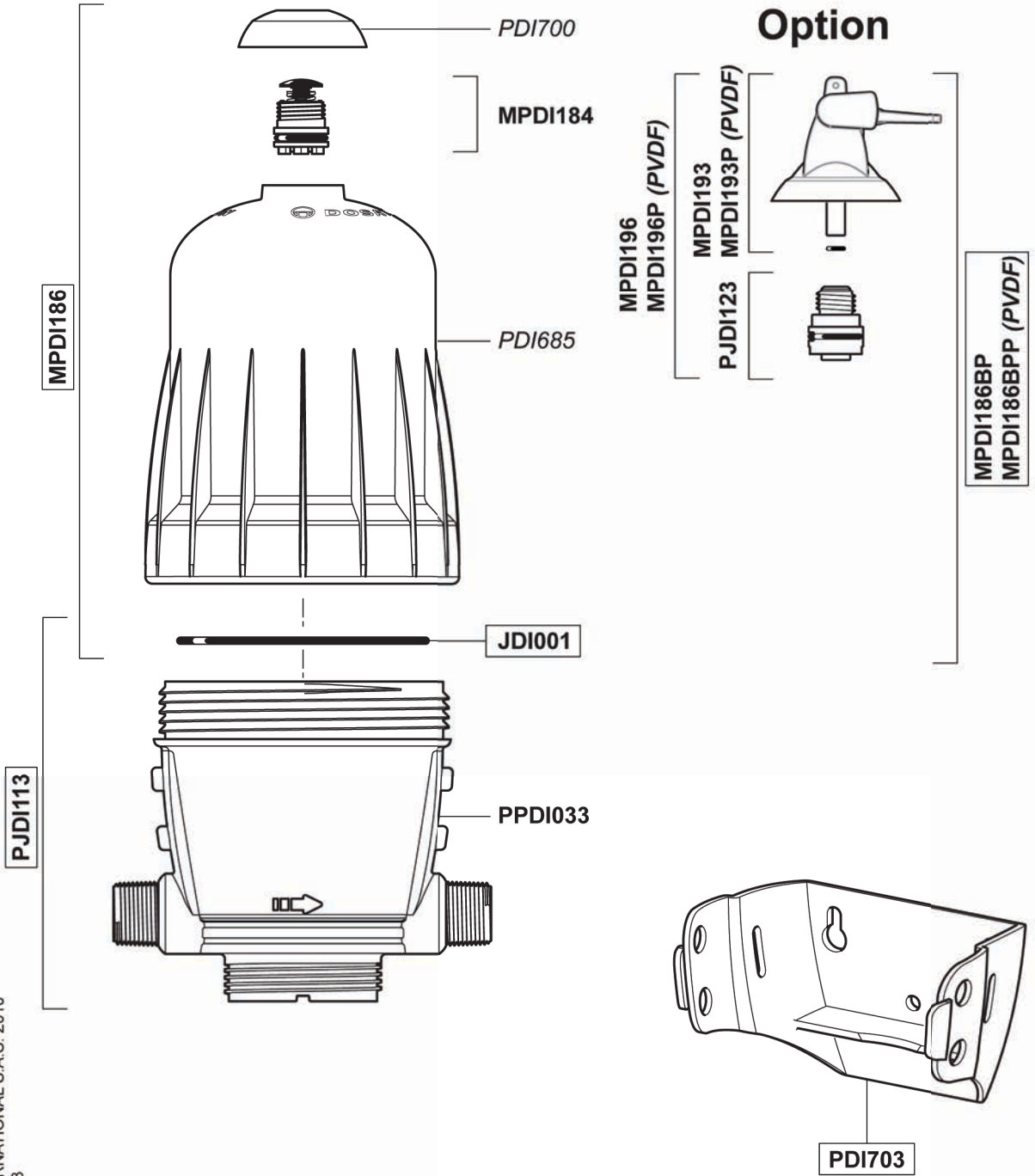


**A**



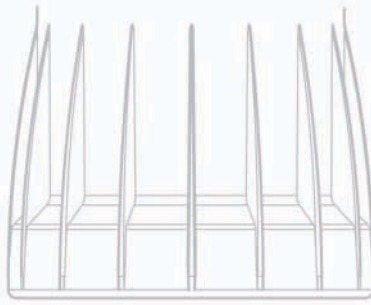
# D14MZ3000

14 GPM - 1:333 - 1:3000  
3 m<sup>3</sup>/h - 0.3 - 0.03%  
4.3 - 85 psi  
0.3 - 6 bar

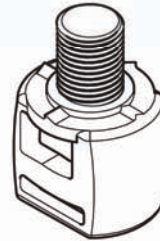
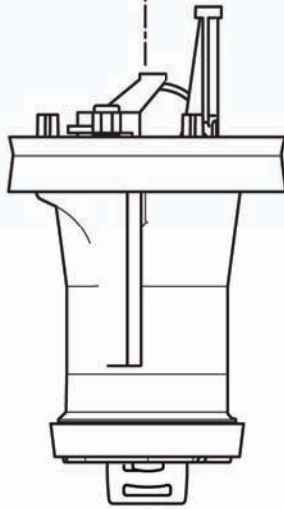


# D14MZ3000

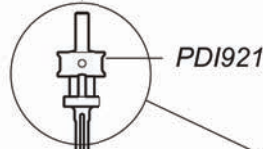
3 m<sup>3</sup>/h - 0.3 - 0.03%  
14 GPM - 1:333 - 1:3000  
0.3 - 6 bar  
4.3 - 85 psi



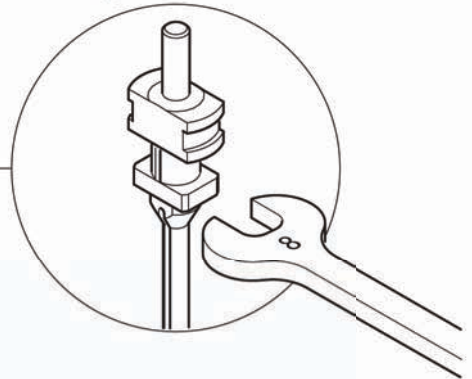
PCDI030



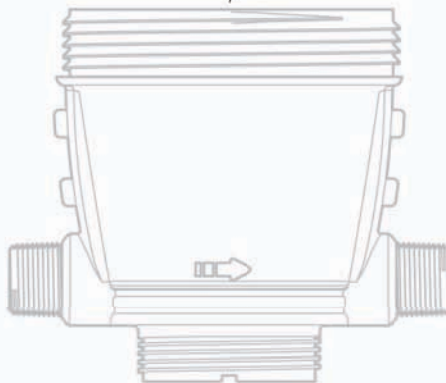
PJDI138



PDI921



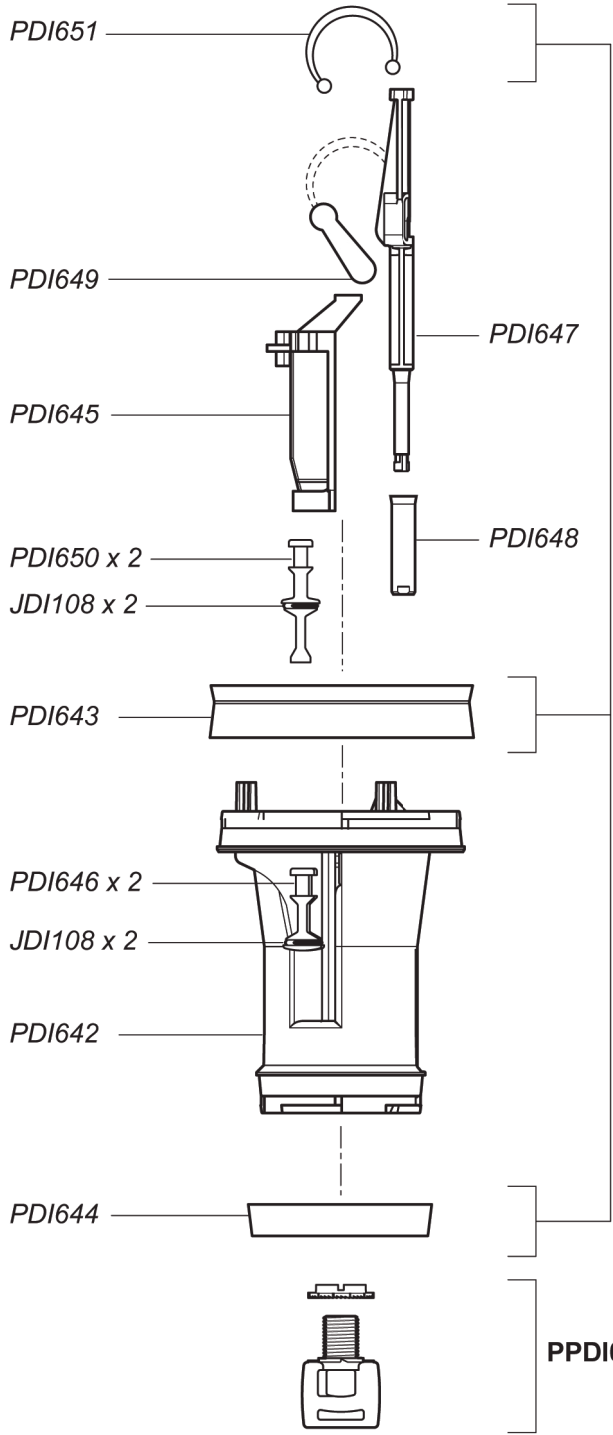
JDI148



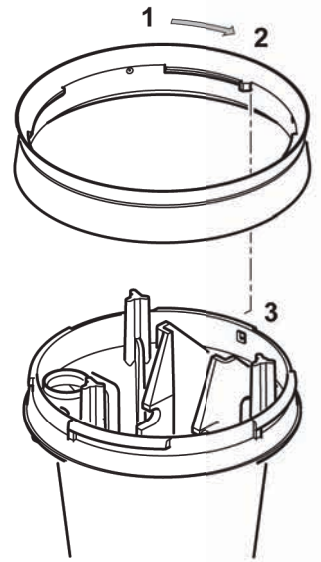
# D14MZ3000

14 GPM - 1:333 - 1:3000  
3 m<sup>3</sup>/h - 0.3 - 0.03%  
4.3 - 85 psi  
0.3 - 6 bar

PCDI030

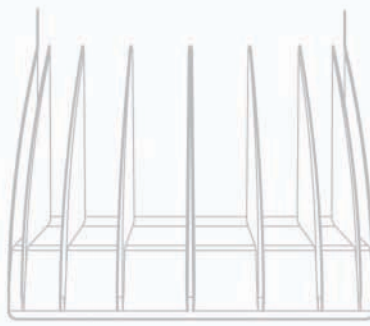


PPDI034



# D14MZ3000

14 GPM - 1:333 - 1:3000  
3 m<sup>3</sup>/h - 0.3 - 0.03%  
4.3 - 85 psi  
0.3 - 6 bar



JDI001

EMDI006

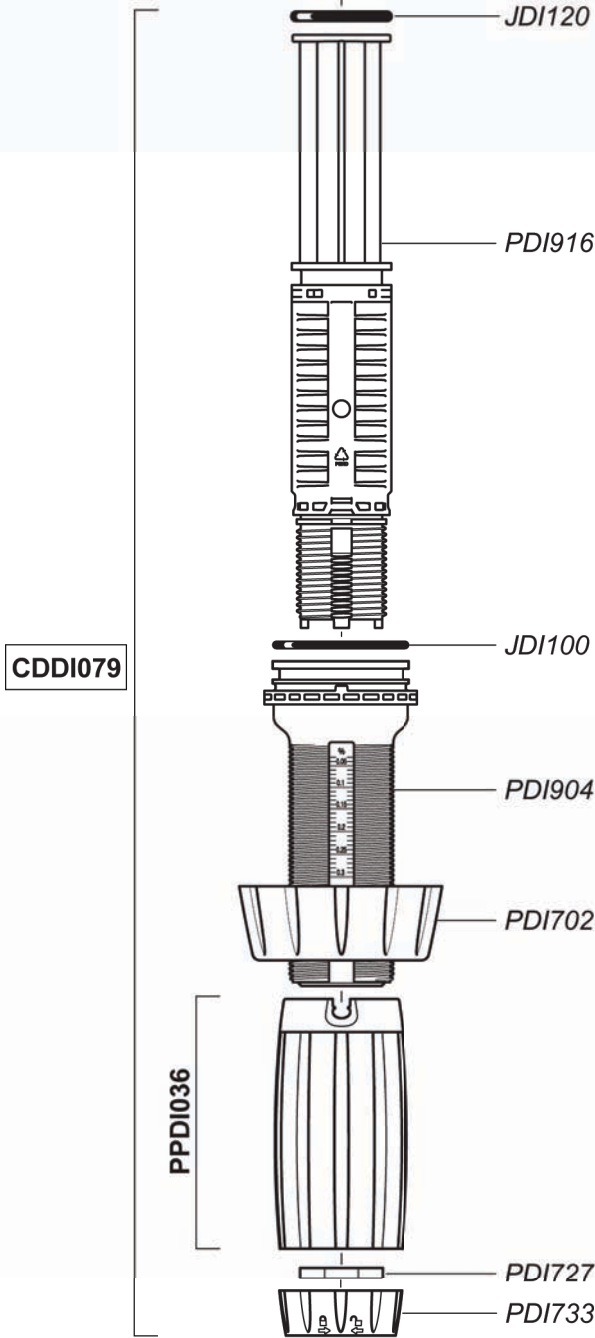
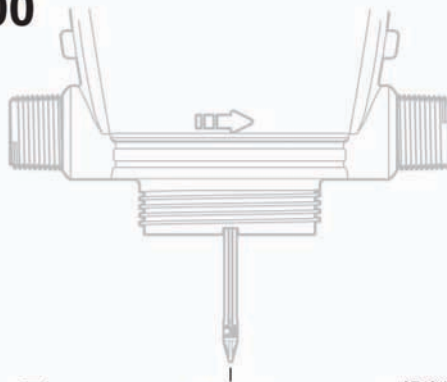
JDI108 x 2

PDI648

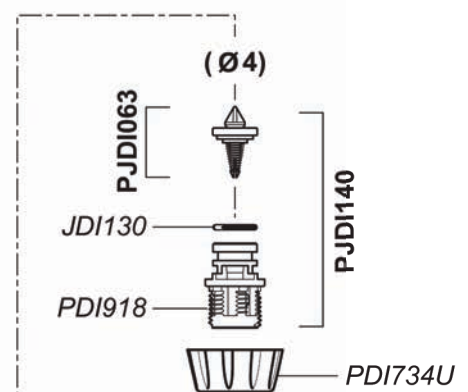
JDI108 x 2

# D14MZ3000

14 GPM - 1:333 - 1:3000  
3 m<sup>3</sup>/h - 0.3 - 0.03%  
4.3 - 85 psi  
0.3 - 6 bar



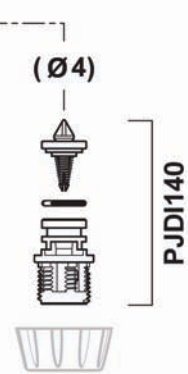
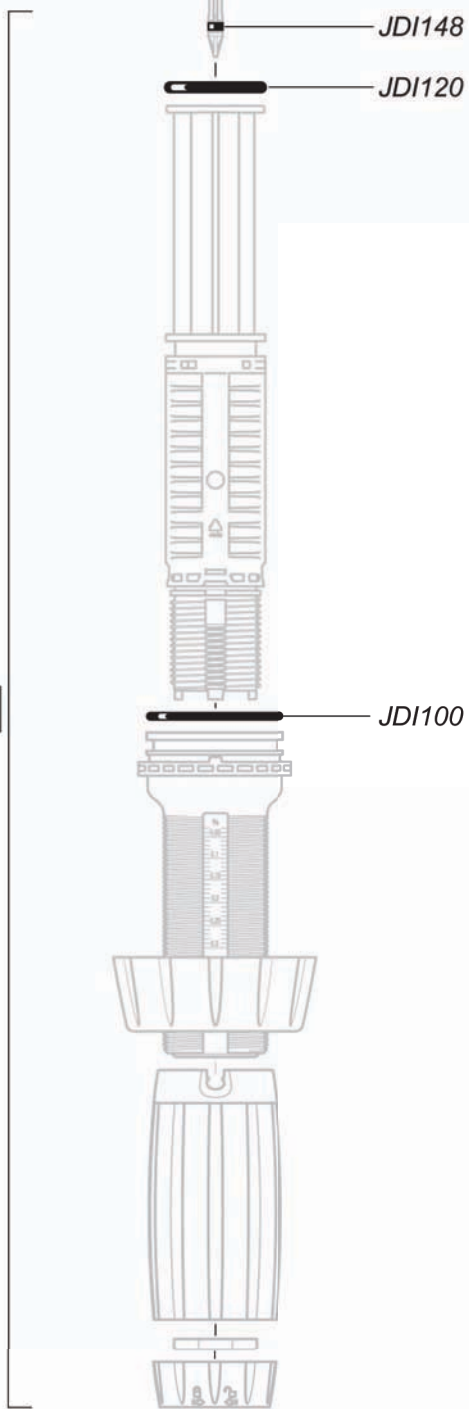
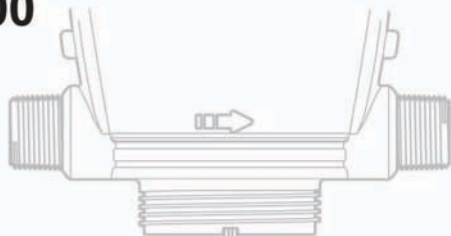
CDDI079





# D14MZ3000

14 GPM - 1:333 - 1:3000  
3 m<sup>3</sup>/h - 0.3 - 0.03%  
4.3 - 85 psi  
0.3 - 6 bar

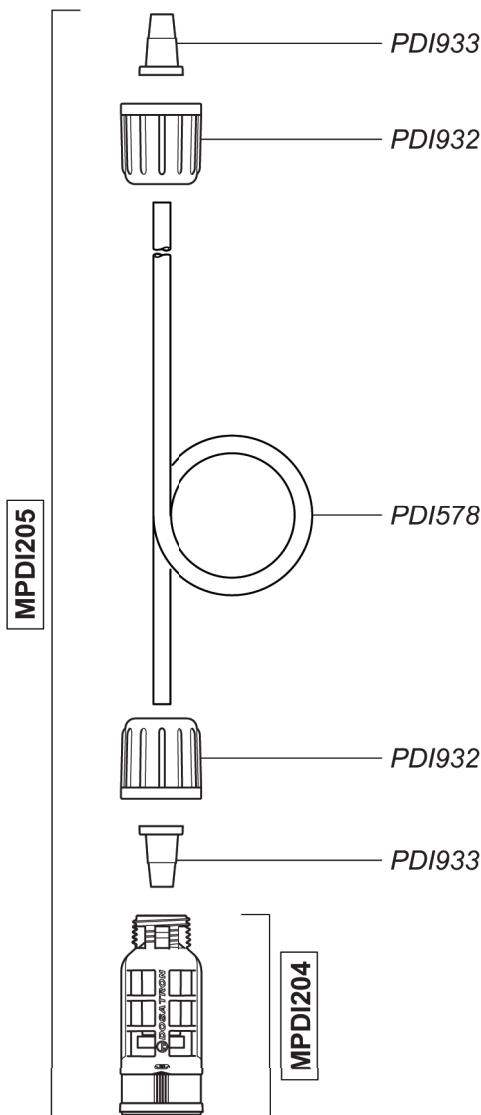


# D14MZ3000

14 GPM - 1:333 - 1:3000  
3 m<sup>3</sup>/h - 0.3 - 0.03%  
4.3 - 85 psi  
0.3 - 6 bar

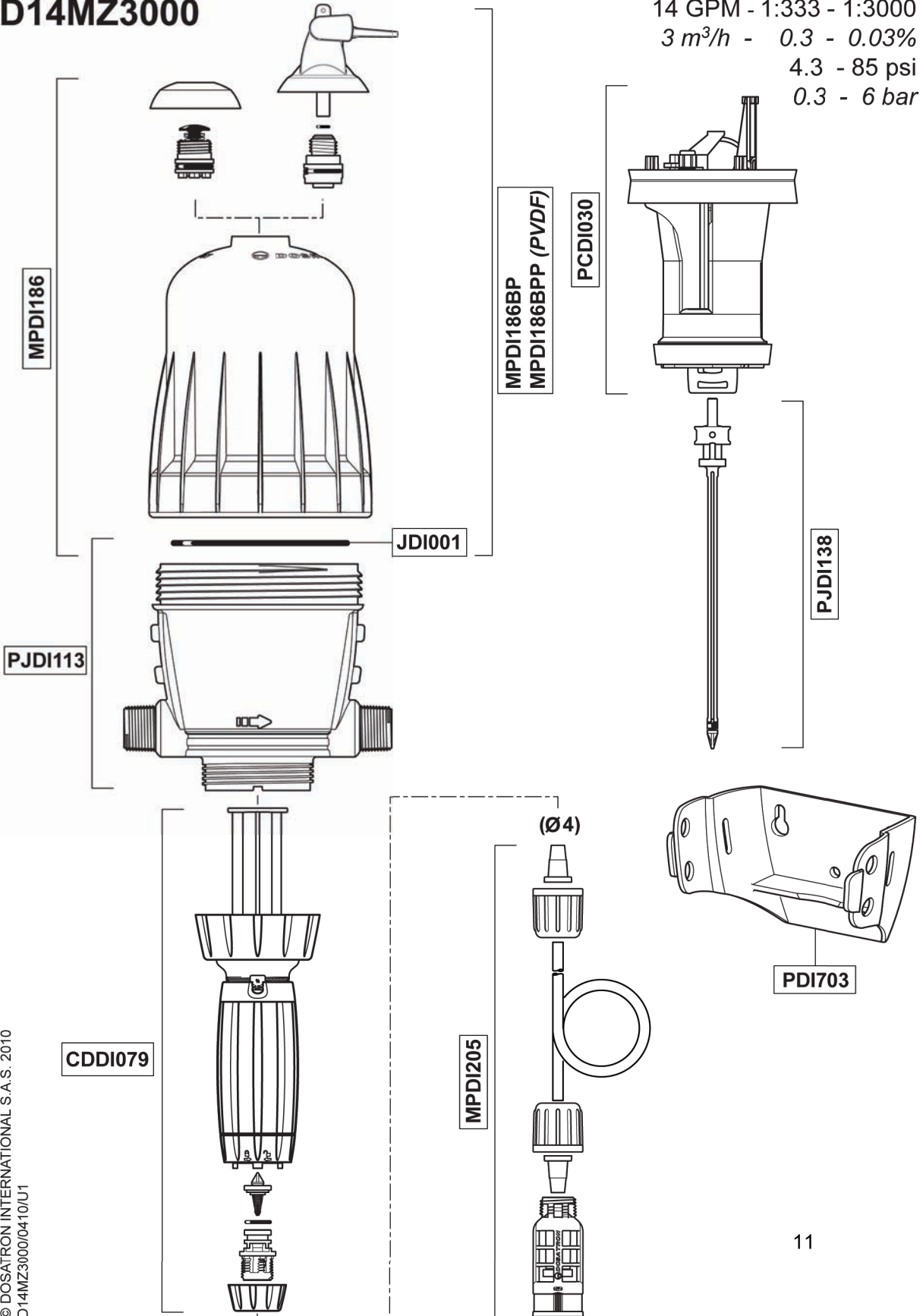


(Ø4)



# D14MZ3000

14 GPM - 1:333 - 1:3000  
3 m<sup>3</sup>/h - 0.3 - 0.03%  
4.3 - 85 psi  
0.3 - 6 bar



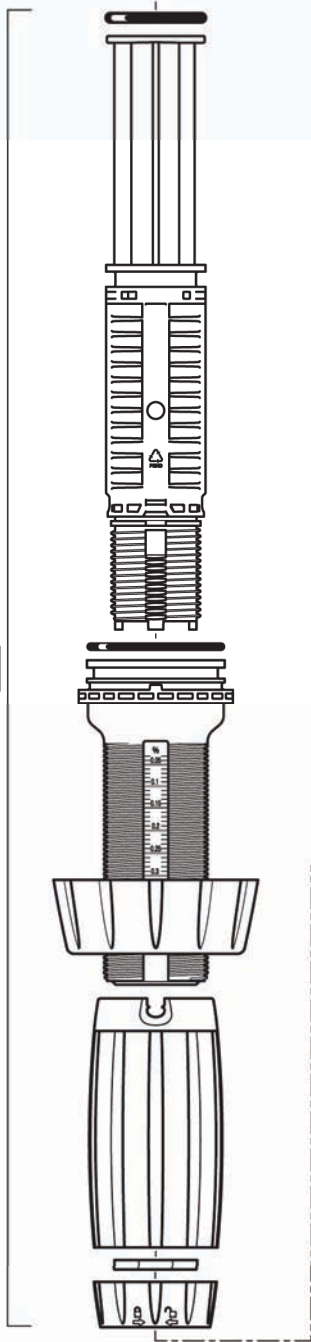
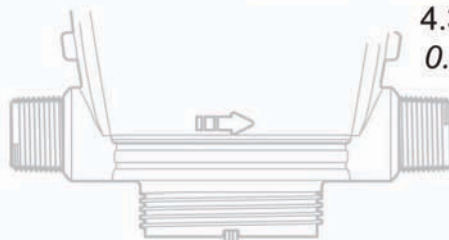
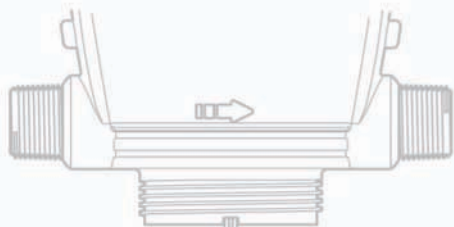
# D14MZ3000

14 GPM - 1:333 - 1:3000

3 m<sup>3</sup>/h - 0.3 - 0.03%

4.3 - 85 psi

0.3 - 6 bar



PJD1139

CDDI079

